

SINK BASE
WT9329-24

VANITY CABINET + VANITY TOP + MIRROR

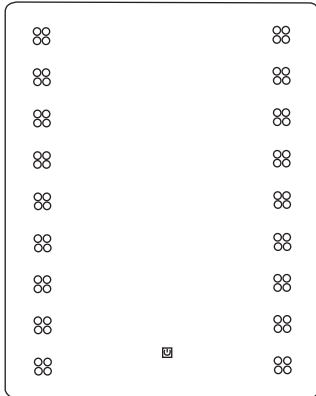
VANITY SET: WT9329-24

INSTALLATION INSTRUCTIONS



PRODUCT PACKAGE COMPONENTS/TOOLS REQUIRED

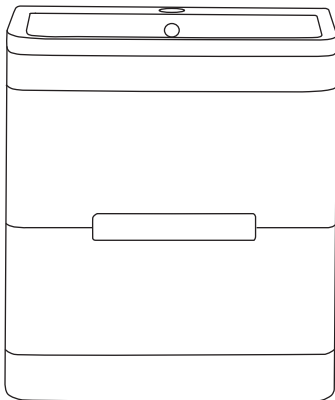
VANITY COMBINATION MAIN COMPONENTS



Wall Mount Mirror **x 1**

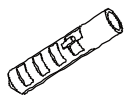


Glass Basin **x 1**



Vanity Base Cabinet **x 1**

INSTALLATION ACCESSORIES



x 2

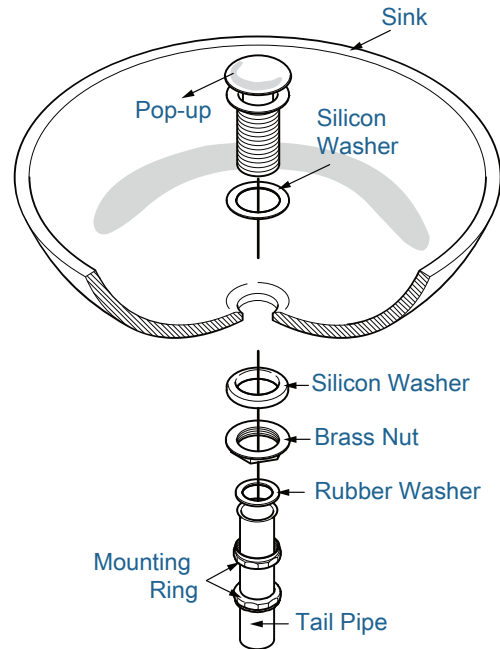
Wall Anchors



x 2

Screws 1 1/4"

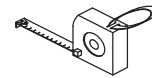
P-TRAP AND POP AND POP-UP INSTALLATION DIAGRAM



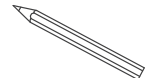
TOOLS REQUIRED FOR INSTALLATION (NOT INCLUDED)



Safety Glass



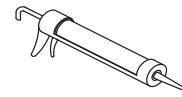
Tape Measure



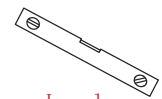
Pencil/Marker



Silicone



Caulk Gun



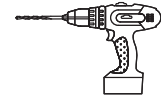
Level



Soft Cloth
or Blanket



Pliers



Electric Drill
with DrillBits



Phillips
Screwdriver



Stud Finder

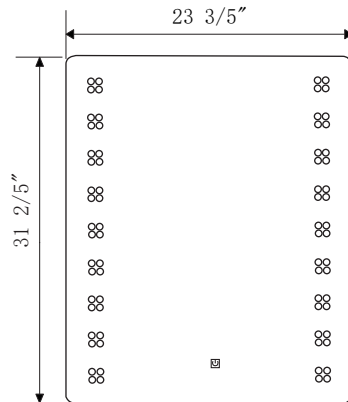


Hammer

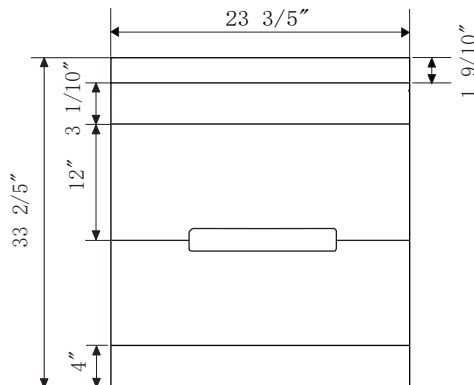
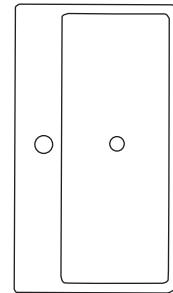
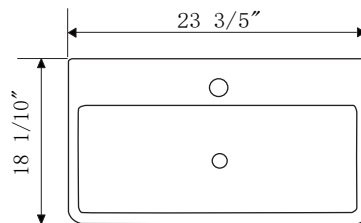
Other tools may be required



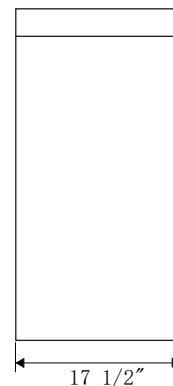
DIMENSIONS & SPECIFICATIONS



Mirror



Front View



Side View

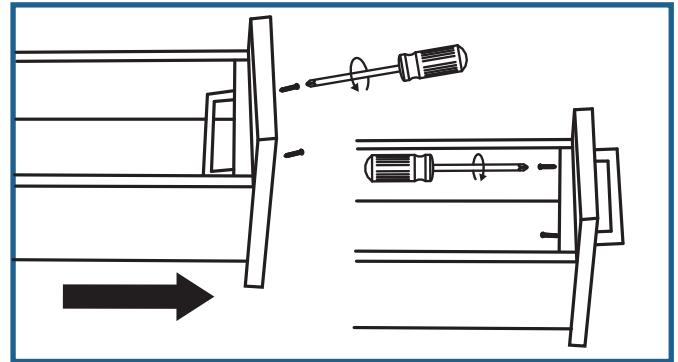
ATTENTION! Due to manufacturing process any dimensions may have a tolerance up to $\frac{3}{8}''$. All sizes are for reference only. It is highly recommended to pull all dimensions of actual model for installation and measuring purposes.

ATTENTION! If two or more vanity cabinets are installed next to each other there will be a visible seam between vanity tops and between vanity cabinets or between drawer base cabinets.

**INSTALLATION STEPS****INSTALL DOOR & DRAWER HANDLES**

All WT9329-24 vanity cabinets by LegionFurniture come pre-assembled. All door and drawer handles are installed from the inner side of the drawer to avoid damage during transportation. Open the drawers to install the handles. Unscrew every handle and install them from the outer side of the doors and drawers. **See Figure 1**

Note: It is highly recommended not to use electric drill to avoid overtightening the screws during handle installation.

**See Figure 1****VANITY CABINET ASSEMBLY**

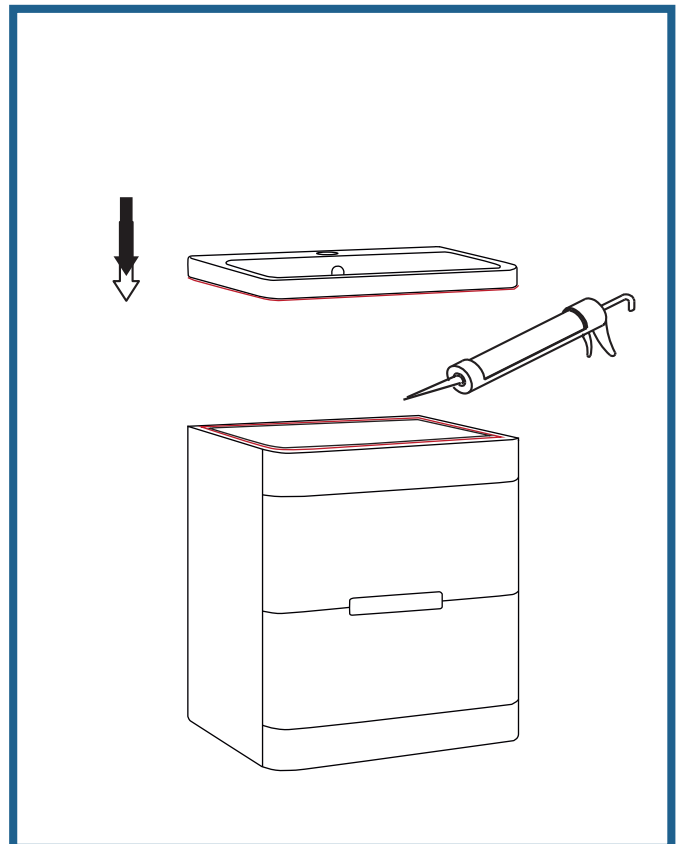
Prior to installation of the glass vanity top you must apply a silicone layer by a perimeter of the vanity base cabinet and carefully lay down the vanity top on top of the vanity cabinet.

See Figure 2

Note (single vanity sink cabinet installation): Vanity top is slightly wider than the actual cabinet. Make sure that outstanding edges are equal at left and right sides.

Apply a silicone layer on the back side of the vanity top that will be adjacent to the wall.

Allow the silicone dry for 48 hours prior to the first use of the vanity cabinet.

**See Figure 2**



INSTALLATION STEPS

MIRROR INSTALLATION

Using a tape measure find a length of the vanity top and divide it by 2. The result of the division will be a center of the top. Using a tape measure find the center of the top and mark a dot on the wall just right above the top using a pencil. Using a level tool find a location of a second dot to draw a vertical line that will serve as installation center for the mirror.

Measure the distance between installation brackets of the mirror and divide it by 2. The result of the division will be a distance between the drawn center line and center of a drilled holes. Mark a center of the first hole and using a level find and mark a location for a second hole. Using an electric drill make the holes.

See Figure 3

Apply a silicone inside each hole. Insert wall anchors (a hammer may be needed if the holes are too tight.) Using a Philips Screwdriver insert the mounting screws into the wall anchors (do not screw in completely as the brackets of the mirror must hang on top of the screws.) Align the mirror with the wall and carefully hang the mirror on the screws. Both screw heads must be inserted into the brackets on the mirror during hanging process. Make sure that the mirror is secured safely on the wall. See Figure 4

Note: If the brackets can not reach the screws or the mirror is loose after hanging you need to adjust the screws using the Philips Screwdriver.

IMPORTANT! Using a stud finder locate wooden studs. Screws for mounting mirror must be installed in the wooden studs to support weight of the mirror.

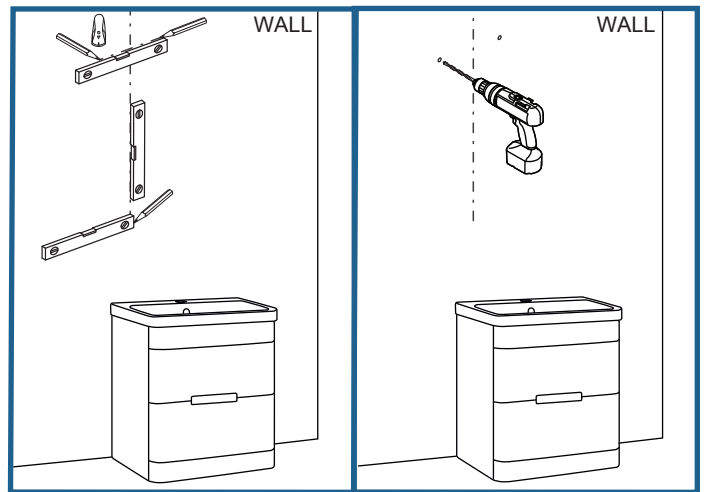


Figure 3

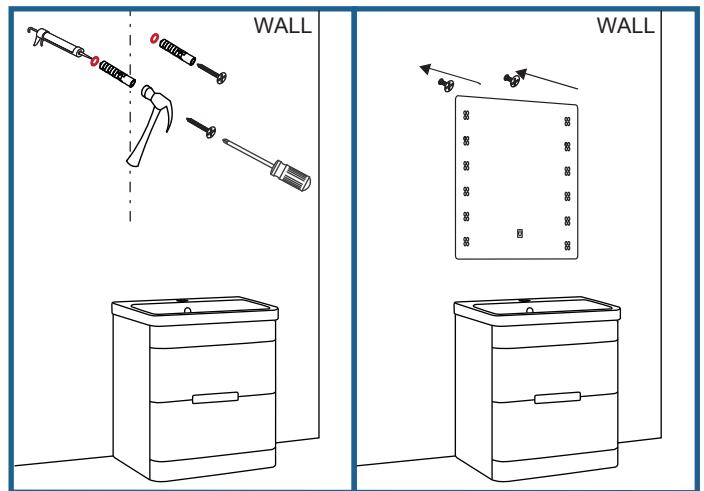
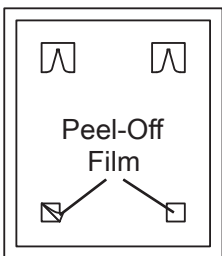


Figure 4



Mirror Back View

IMPORTANT:

At the bottom of the back side of the mirror there are two foam blocks with adhesive surface covered by a film. Remove the film before hanging the mirror. These blocks will stick to the wall for extra support, leveling, and preventing from moving.

CHECK OUT NEXT PAGE WITH VARIETY OF COMBINATIONS EXAMPLES



VANITY CABINET + VANITY TOP + MIRROR

VANITY SET:WT9329-24

Retain these installation instructions
for future reference!

Legionfurniture reserves the right to modify this installation instructions at any time.
It is a customer's sole responsibility to inquiry for the updates of the installation instructions.